



\* All images in this datasheet are for illustrative purposes only.

**Commercial TV UN560H Series**

Commercial Lite    Pro:Centric Value    **Pro:Centric Direct**    Pro:Centric Direct Smart

**Pro:Centric<sup>®</sup> Direct Hospitality  
Ultra HD TV**



4K UHD



Pro:Idiom



Pro:Centric Direct

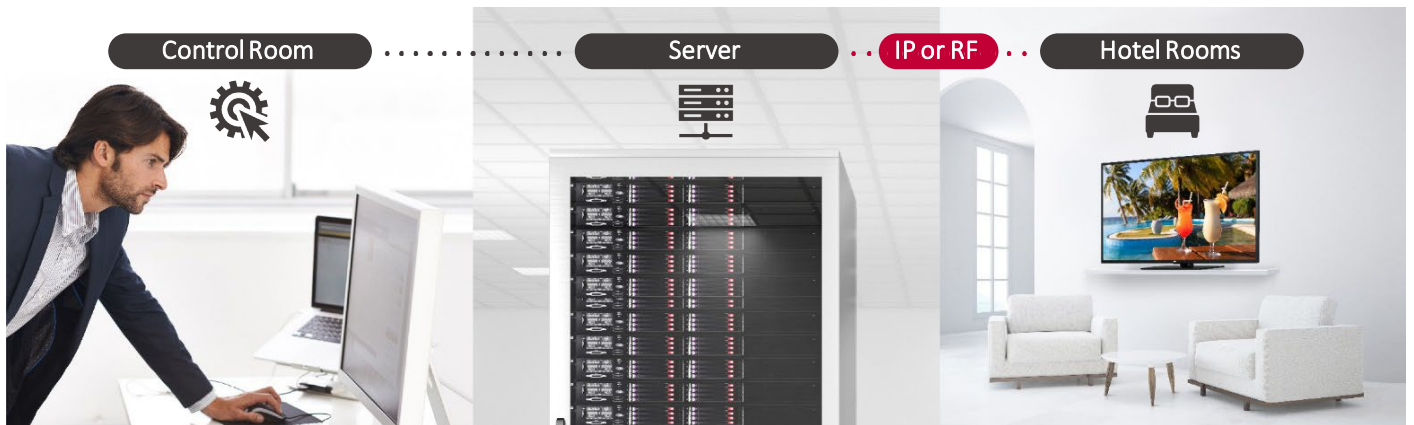
**UN560H Series**

Design	Stand Type	1 pole (Swivel)
Display	Diagonal	55" / 50" / 43"
	Resolution	3,840 × 2,160 (4K UHD)
Broadcasting	Digital	ATSC, Clear QAM
	Analog	NTSC
Solution	Pro:Centric (Direct 5.5, PCA 3.8)	
VESA	55":	300 × 300
	50" / 43":	200 × 200



## 4K UHD, Vibrant Viewing in Ultra High Resolution

LG UHD TVs surpass your expectations every time. Experience lifelike picture quality and vivid colors with four times more pixel resolution than Full HD.



## Pro:Centric Direct

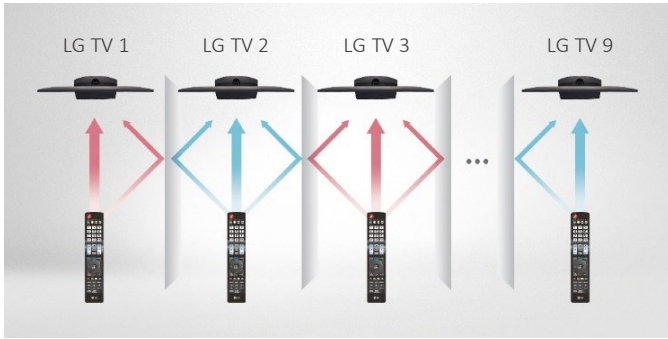
The hotel content management solution Pro:Centric Direct offers easy and simple editing tools, making it easy to perform service and IP network-based remote management.\* The Pro:Centric Direct solution enables users to edit their interface easily by providing customized interface and efficiently manages all TVs in the room. The latest PCD version provides IoT-based in-room control. The IoT function will be your starting point to prepare for the hotel rooms of next generation through artificial intelligence.

\* Specific feature set based on PCD version.



## Pro:Idiom

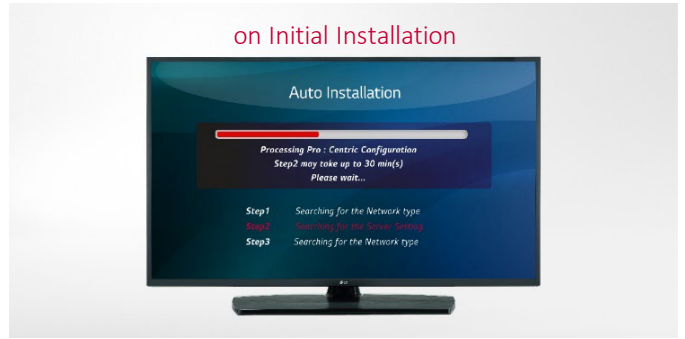
Digital Rights Management (DRM) technology provides access to premium content to help assure rapid and broad deployment of HDTV and other high-value digital content.



### Multi-code IR

Multi-code IR\* function eliminates any remote-control signal interaction between multiple TVs in one place. LG hospital TV supports this when used with the Multi-code IR remote control, so users can freely control their own TVs without disturbing the others.

\* Multi-code IR remote control is not provided by LG. (sold separately)



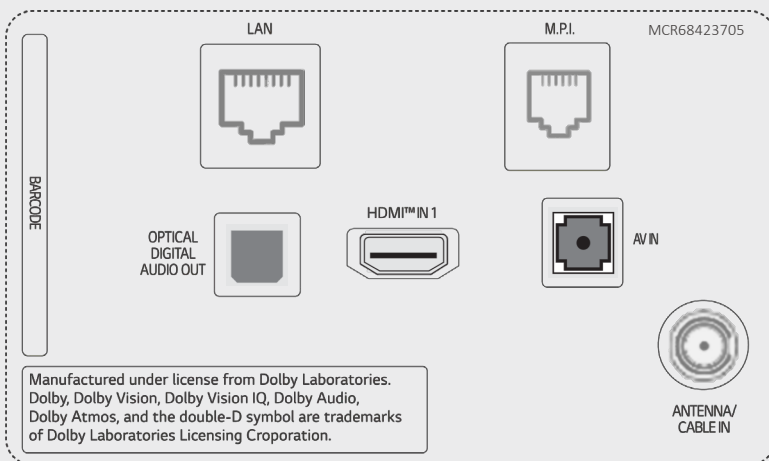
### Ez-Manager

Ez-Manager provides a convenient installation function automatically set up for Pro:Centric TV that provides less effort and process than manual installation.

## CONNECTIVITY

55" / 50" / 43"

Rear



Side



## SPECIFICATIONS

		55UN560H0UA	50UN560H0UA	43UN560H0UA
Category	Category	Pro:Centric Enhanced	Pro:Centric Enhanced	Pro:Centric Enhanced
Design	Stand Type	1 pole (Swivel)	1 pole (Swivel)	1 pole (Swivel)
	Front Color	Dark Ash Charcoal	Dark Ash Charcoal	Dark Ash Charcoal
Display	Diagonal	55"	50"	43"
	Resolution	3,840 × 2,160 (UHD)	3,840 × 2,160 (UHD)	3,840 × 2,160 (UHD)
Video	HDR 10 Pro / HDR HLG	Yes / Yes	Yes / Yes	Yes / Yes
	Game Optimizer	Yes	Yes	Yes
Audio	Speaker (Sound Output)	10 W + 10 W	10 W + 10 W	10 W + 10 W
	Speaker System	2.0 ch	2.0 ch	2.0 ch
Broadcasting	Analog	NTSC	NTSC	NTSC
	Digital (Terrestrial / Cable / Satellite)	ATSC, Clear QAM	ATSC, Clear QAM	ATSC, Clear QAM
Hospitality Solution	Solution Type	Pro:Centric (Direct 5.5, PCA 3.8)	Pro:Centric (Direct 5.5, PCA 3.8)	Pro:Centric (Direct 5.5, PCA 3.8)
	Pro:Idiom (Mobile, Lite)	Yes	Yes	Yes
Smart Features	Smart Home (Launcher Bar), Quick Access, HDMI-ARC (HDMI 2), Wake on RF, Diagnostics (RF Remote), Simplink (HDMI-CEC) (1.4), Anti-theft System (Kensington Lock, Credenza/Security Aperture (Except 65")), Lock Down Plate (for Easy Installing) (Except 65"))			
Hospitality Features	Port Block, Insert Image, Instant ON, Auto Off / Sleep Timer, Energy Saving Mode			
Connectivity	Set Side	HDMI 2.0 In (x2), USB 2.0 In, Service Only (3.5mm Stereo), RS-232C In (3.5 mm TRRS), Speaker/Line Out (3.5 mm Stereo)		
	Set Rear / Bottom	HDMI 2.0 In, RF Antenna/Cable In, AV In (3.5 mm), Digital Audio Out (Optical), RJ45 (LAN), M.P.I.		
Mechanical	VESA Compatible	300 × 300 mm	200 × 200 mm	200 × 200 mm
	Dimensions (W × H × D)	48.6 × 28.1 × 2.3 in. 1,235 × 715 × 57.5 mm	44.1 × 25.6 × 2.2 in. 1,121 × 651 × 57.1 mm	38.1 × 22.2 × 2.2 in. 967 × 564 × 57.1 mm
	Weight	30.9 lbs. / 14.0 kg	26.7 lbs. / 12.1 kg	19.4 lbs. / 8.8 kg
	Dimensions with Stand (W × H × D)	48.6 × 30.6 × 11.9 in. 1,235 × 777 × 303 mm	44.1 × 28.1 × 11.9 in. 1,121 × 713 × 303 mm	38.1 × 24.5 × 11.9 in. 967 × 623 × 303 mm
	Weight with Stand	37.9 lbs. / 17.2 kg	33.7 lbs. / 15.3 kg	26.5 lbs. / 12.0 kg
	Shipping Dimensions (W × H × D)	53.5 × 33.9 × 8.1 in. 1,360 × 860 × 207 mm	51.9 × 31.9 × 7.4 in. 1,317 × 810 × 188 mm	42.3 × 26.0 × 8.0 in. 1,075 × 660 × 203 mm
	Shipping Weight	49.2 lbs. / 22.3 kg	41 lbs. / 18.6 kg	34.0 lbs. / 15.4 kg
	On Bezel Width (L / R / U / B)	12.8 / 12.8 / 12.8 / 19.9 mm	12.8 / 12.8 / 12.8 / 19.9 mm	12.8 / 12.8 / 12.8 / 19.9 mm
Off Bezel Width (L / R / U / B)	6.9 / 6.9 / 6.9 / 18.4 mm	7.3 / 7.3 / 7.8 / 18.4 mm	6.9 / 6.9 / 6.9 / 18.4 mm	
Power	Power Consumption (Typ. / Max.)	140 W / 170 W	120 W / 145 W	100 W / 120 W
	Power Supply (Voltage, Hz)	100-240 Vac, 50/60 Hz	100-240 Vac, 50/60 Hz	100-240 Vac, 50/60 Hz
Warranty & Other	Warranty	3 Year Limited	3 Year Limited	3 Year Limited
	Certification	FCC	FCC	FCC
	UPC	1 95174 058107	1 95174 05775 9	1 95174 05811 4

\* Specifications are subject to change without notice. Please make sure to check the product manual for details about product usage.