



**OFFICE OF STATEWIDE HEALTH PLANNING AND DEVELOPMENT
FACILITIES DEVELOPMENT DIVISION**

**APPLICATION FOR OSHPD PREAPPROVAL OF
MANUFACTURER'S CERTIFICATION (OPM)**

OFFICE USE ONLY

APPLICATION #: OPM-0298-13

OSHPD Preapproval of Manufacturer's Certification (OPM)

Type: New Renewal Update to Pre-CBC 2013 OPA Number: _____

Manufacturer Information

Manufacturer: PDi Communication Systems, Inc.

Manufacturer's Technical Representative: Dean Heyl

Mailing Address: 40 Greenwood Lane, Springboro, Ohio 45066

Telephone: 800-628-9870 x240 Email: dhey1@pdiam.com

Product Information

Product Name: 400-, 500-, 1000-Series Suspension Arms

Product Type: Monitor Arms OPM-0298-13

Product Model Number: PDI-400, PDI-500, PDI-1000 (arms), PDI-179C, PDI-180C, PDI-771B (wall plates), PDI-254I-16, PDI-254I-24, PDI-255E-16, PDI-255E-24, PDI-218 (backing plates)

General Description: Wall-mounted monitor arms and wall plates thru-bolted to opposing monitor arm or backing plate on opposite side of light gauge metal framed wall

Applicant Information

Applicant Company Name: PDi Communication Systems, Inc.

Contact Person: Dean Heyl

Mailing Address: 40 Greenwood Lane, Springboro, Ohio 45066

Telephone: 800-628-9870 x240 Email: dhey1@pdiam.com

I hereby agree to reimburse the Office of Statewide Health Planning and Development review fees in accordance with the California Administrative Code, 2013.

Signature of Applicant:  Date: 2 Feb 2016

Title: Engineering Manager Company Name: PDi Communication Systems, Inc.

"Access to Safe, Quality Healthcare Environments that Meet California's Diverse and Dynamic Needs"



OSHPD



**OFFICE OF STATEWIDE HEALTH PLANNING AND DEVELOPMENT
FACILITIES DEVELOPMENT DIVISION**

Registered Design Professional Preparing Engineering Recommendations

Company Name: Forell/Elsesser Engineers, Inc.

Name: Marco Scanu California License Number: S4454

Mailing Address: 160 Pine Street, 6th Floor, San Francisco, CA 94111

Telephone: 415-837-0700 Email: scanu@forell.com

OSHPD Special Seismic Certification Preapproval (OSP)

- Special Seismic Certification is preapproved under OSP-0207-10
(Separate application for OSP is required)
- Special Seismic Certification is not preapproved

Certification Method(s)

- Testing in accordance with: ICC-ES AC156 FM 1950-10
- Other* (Please Specify): _____

*Use of criteria other than those adopted by the California Building Standards Code, 2013 (CBSC 2013) for component supports and attachments are not permitted. For distribution system, interior partition wall, and suspended ceiling seismic bracings, test criteria other than those adopted in the CBSC 2013 may be used when approved by OSHPD prior to testing.

- Analysis
- Experience Data
- Combination of Testing, Analysis, and/or Experience Data (Please Specify): _____

List of Attachments Supporting the Manufacturer's Certification

- Test Report Drawings Calculations Manufacturer's Catalog
- Other(s) (Please Specify): _____

OFFICE USE ONLY – OSHPD APPROVAL VALID FOR CBC 2013 ONLY

Signature:  Date: 11-09-2016

Print Name: Jeffrey Kikumoto

Title: SSE

Condition of Approval (if applicable): _____

"Access to Safe, Quality Healthcare Environments that Meet California's Diverse and Dynamic Needs"

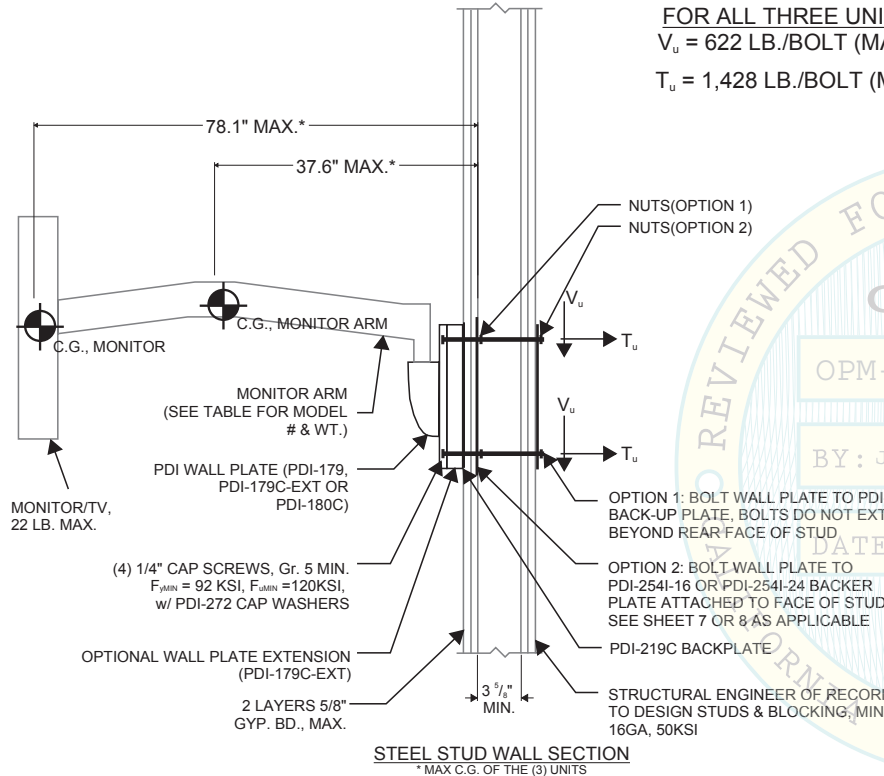
STATE OF CALIFORNIA – HEALTH AND HUMAN SERVICES AGENCY
OSH-FD-700 (REV 10/22/14)



SEISMIC SUPPORTS & ATTACHMENTS

SINGLE ARM, WALL-MOUNTED

MAXIMUM DESIGN DEMANDS
FOR ALL THREE UNITS:
 $V_u = 622 \text{ LB./BOLT (MAX.)}$
 $T_u = 1,428 \text{ LB./BOLT (MAX.)}$



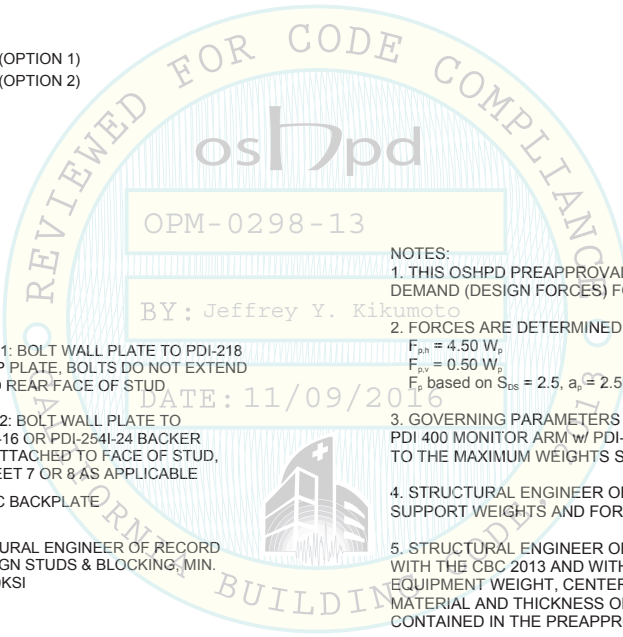
PDI CERTIFIES THIS AS AN
OUTLINE DRAWING

SIGNATURE *Dean Heyl*
NAME Dean Heyl
TITLE Engineering Manager
DATE 11/7/2016

MONITOR ARMS		
MODEL #	LENGTH	WEIGHT
PDI-400	66.0"	20.5 LBS
PDI-500	56.0"	14.0 LBS
PDI-1000	71.5"	16.5 LBS

WALL PLATES - ADC12 ALUMINUM		
F _y = 24 KSI MIN.		
MODEL #	DIMS.	WEIGHT
PDI-179C	10" x 7.12" x 3.25"	4 LBS
PDI-180C	10" x 7.28" x 3.75"	4 LBS
PDI-771B	10" x 6.30" x 3.44"	8 LBS

BACKER PLATES - A653		
MODEL #	L x W	THICK.
PDI-254I-16	18" x 10"	0.1196"
PDI-254I-24	26" x 10"	0.1196"
PDI-255E-16	18" x 10.35"	0.1196"
PDI-255E-24	15" x 10.35"	0.1196"
PDI-218	10" x 6.50"	0.1196"
PDI-219C	10" x 6.30"	0.1196"



- NOTES:
- THIS OSHPD PREAPPROVAL OF MANUFACTURER'S CERTIFICATION (OPM) IS BASED ON THE CBC 2013. THE DEMAND (DESIGN FORCES) FOR USE WITH THIS OPM SHALL BE BASED ON THE CBC 2013.
 - FORCES ARE DETERMINED PER 2013 CALIFORNIA BUILDING CODE AND ASCE 7-10, LRFD.
 $F_{ps} = 4.50 W_p$
 $F_{sv} = 0.50 W_p$
 F_p based on $S_{os} = 2.5$, $a_p = 2.5$, $I_p = 1.5$, $R_p = 2.5$, $z/h < 1$
 - GOVERNING PARAMETERS FOR DESIGN BASED ON CENTER OF GRAVITY (C.G.) AND WEIGHT CAPACITY OF THE PDI 400 MONITOR ARM w/ PDI-771B EXTENDED WALL PLATE. THIS PREAPPROVAL ENCOMPASSES ALL WEIGHTS UP TO THE MAXIMUM WEIGHTS SHOWN.
 - STRUCTURAL ENGINEER OF RECORD FOR THE BUILDING SHALL PROVIDE SUPPORT STRUCTURE DESIGNED TO SUPPORT WEIGHTS AND FORCES SHOWN IN COMBINATION WITH ALL OTHER LOADS THAT MAY BE PRESENT.
 - STRUCTURAL ENGINEER OF RECORD FOR THE BUILDING SHALL VERIFY THAT INSTALLATION IS IN CONFORMANCE WITH THE CBC 2013 AND WITH THE DETAILS SHOWN IN THIS PREAPPROVAL, AND SHALL VERIFY THAT THE ACTUAL EQUIPMENT WEIGHT, CENTER OF GRAVITY, LOCATION, ATTACHMENT LOCATIONS, ATTACHMENT DETAILS, AND MATERIAL AND THICKNESS OF THE UNIT WHERE THE ATTACHMENTS ARE MADE AGREE WITH THE INFORMATION CONTAINED IN THE PREAPPROVAL DOCUMENTS.
 - CONTRACTOR RESPONSIBLE FOR FASTENERS & INSTALLATION



MATERIAL:	TOLERANCES EXCEPT AS NOTED	DRAWN H. MORTON	12/3/2015	PDI COMMUNICATION SYSTEMS INC
HEAT TREAT:	GENERAL DIMENSIONS	CHECKED		
FINISH:	.XXX = ± .015 ANGLES = 1.5°	APPROVED		
THIS DRAWING AND INFORMATION THEREON IS THE PROPERTY OF PDI COMMUNICATION SYSTEMS INC. / PRECISION INDUSTRIES INC. ANY UNAUTHORIZED USE AND/OR REPRODUCTION IS PROHIBITED.	MACHINED DIMENSIONS			TITLE
	.X = ± .030 ANGLES = 0.5°			OPM-0298-13
	.XX = ± .020 MACHINED SURFACES	125		PDI-400 MONITOR ARM w/ PDI179,
	.XXX = ± .005			PDI-179C-EXT, OR PDI-180C
SHARP EDGES/CORNERS = .02 MAX				SIZE
				B
				DWG NO
				REV
				A
				SCALE
				NONE
				SHEET 01

SEISMIC SUPPORTS & ATTACHMENTS

BACK-TO-BACK WALL MOUNTED

MAXIMUM DESIGN DEMANDS FOR ALL THREE UNITS:

ARMS EXTENDED AWAY FROM WALL

$V_u = 51$ LBS/BOLT
 $T_u = 2,809$ LBS/BOLT

ARMS EXTENDED TO SIDE

$V_u = 1,302$ LBS/BOLT
 $T_u = 1,266$ LBS/BOLT

CAPACITIES

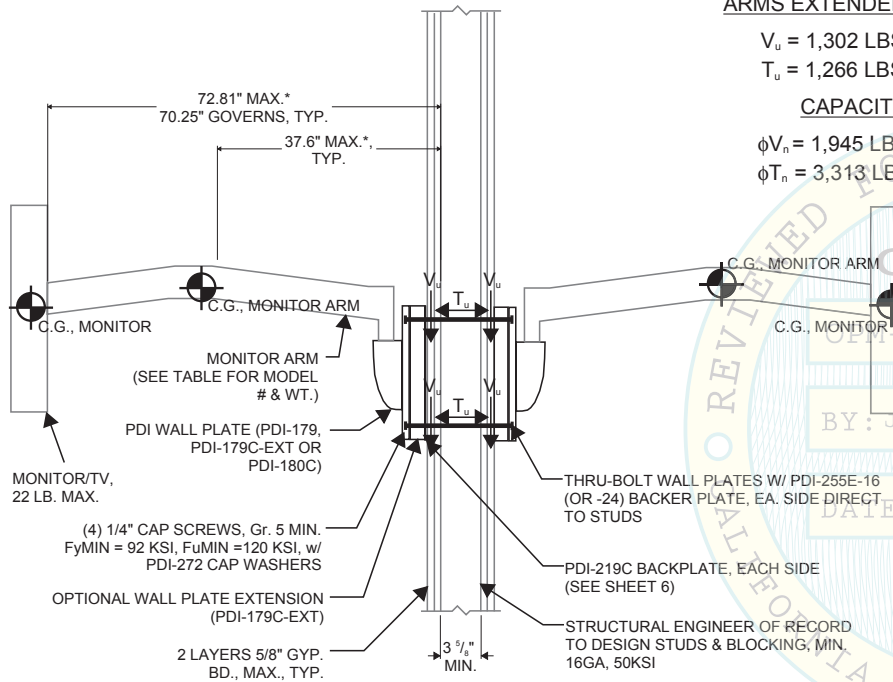
$\phi V_n = 1,945$ LBS/BOLT
 $\phi T_n = 3,313$ LBS/BOLT

PDI CERTIFIES THIS AS AN OUTLINE DRAWING
 SIGNATURE *Dean Heyl*
 NAME Dean Heyl
 TITLE Engineering Manager
 DATE 11/7/2016

MONITOR ARMS		
MODEL #	LENGTH	WEIGHT
PDI-400	66.0"	20.5 LBS
PDI-500	56.0"	14.0 LBS
PDI-1000	71.5"	16.5 LBS

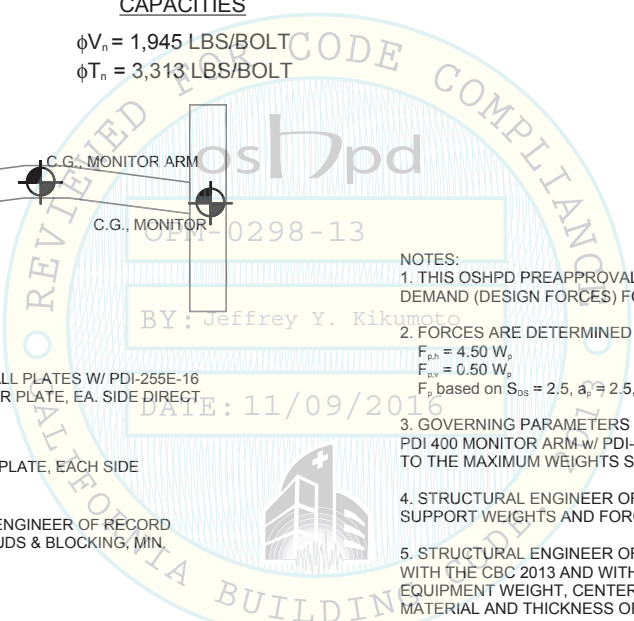
WALL PLATES - ADC12 ALUMINUM		
F _y = 24 KSI MIN.		
MODEL #	DIMS.	WEIGHT
PDI-179C	10" x 7.12" x 3.25"	4 LBS
PDI-180C	10" x 7.28" x 3.75"	4 LBS
PDI-771B	10" x 6.30" x 3.44"	8 LBS

BACKER PLATES - A653		
MODEL #	L x W	THICK.
PDI-254I-16	18" x 10"	0.1196"
PDI-254I-24	26" x 10"	0.1196"
PDI-255E-16	18" x 10.35"	0.1196"
PDI-255E-24	15" x 10.35"	0.1196"
PDI-218	10" x 6.50"	0.1196"
PDI-219C	10" x 6.30"	0.1196"



STEEL STUD WALL SECTION
 * MAX C.G. OF THE (3) UNITS

- NOTES:
- THIS OSHPD PREAPPROVAL OF MANUFACTURER'S CERTIFICATION (OPM) IS BASED ON THE CBC 2013. THE DEMAND (DESIGN FORCES) FOR USE WITH THIS OPM SHALL BE BASED ON THE CBC 2013.
 - FORCES ARE DETERMINED PER 2013 CALIFORNIA BUILDING CODE AND ASCE 7-10, LRFD.
 $F_{eh} = 4.50 W_e$
 $F_{ev} = 0.50 W_e$
 F_p based on $S_{DS} = 2.5$, $a_p = 2.5$, $I_p = 1.5$, $R_p = 2.5$, $z/h < 1$
 - GOVERNING PARAMETERS FOR DESIGN BASED ON CENTER OF GRAVITY (C.G.) AND WEIGHT CAPACITY OF THE PDI 400 MONITOR ARM w/ PDI-771B EXTENDED WALL PLATE. THIS PREAPPROVAL ENCOMPASSES ALL WEIGHTS UP TO THE MAXIMUM WEIGHTS SHOWN.
 - STRUCTURAL ENGINEER OF RECORD FOR THE BUILDING SHALL PROVIDE SUPPORT STRUCTURE DESIGNED TO SUPPORT WEIGHTS AND FORCES SHOWN IN COMBINATION WITH ALL OTHER LOADS THAT MAY BE PRESENT.
 - STRUCTURAL ENGINEER OF RECORD FOR THE BUILDING SHALL VERIFY THAT INSTALLATION IS IN CONFORMANCE WITH THE CBC 2013 AND WITH THE DETAILS SHOWN IN THIS PREAPPROVAL, AND SHALL VERIFY THAT THE ACTUAL EQUIPMENT WEIGHT, CENTER OF GRAVITY, LOCATION, ATTACHMENT LOCATIONS, ATTACHMENT DETAILS, AND MATERIAL AND THICKNESS OF THE UNIT WHERE THE ATTACHMENTS ARE MADE AGREE WITH THE INFORMATION CONTAINED IN THE PREAPPROVAL DOCUMENTS.
 - CONTRACTOR RESPONSIBLE FOR FASTENERS & INSTALLATION

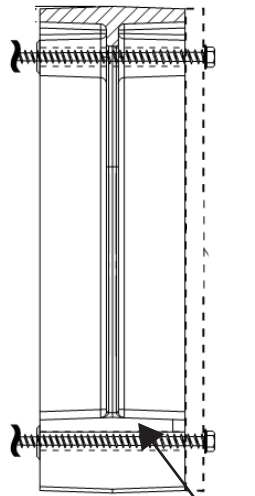


MATERIAL:	TOLERANCES EXCEPT AS NOTED	DRAWN H. MORTON	12/3/2015	PDI COMMUNICATION SYSTEMS INC
HEAT TREAT:	GENERAL DIMENSIONS	CHECKED		
FINISH:	.XXX = ± .015 ANGLES = 1.5°	APPROVED		
THIS DRAWING AND INFORMATION THEREON IS THE PROPERTY OF PDI COMMUNICATION SYSTEMS INC. / PRECISION INDUSTRIES INC. ANY UNAUTHORIZED USE AND/OR REPRODUCTION IS PROHIBITED.	MACHINED DIMENSIONS			TITLE
	.X = ± .030 ANGLES = 0.5°			OPM-0298-13 PDI-400 MONITOR ARM w/ PDI179, PDI-179C-EXT, OR PDI-180C
	.XX = ± .020 MACHINED SURFACES	125		SIZE
	.XXX = ± .005 SHARP EDGES/CORNERS = .02 MAX			B DWG NO REV A
				SCALE
				NONE SHEET 02

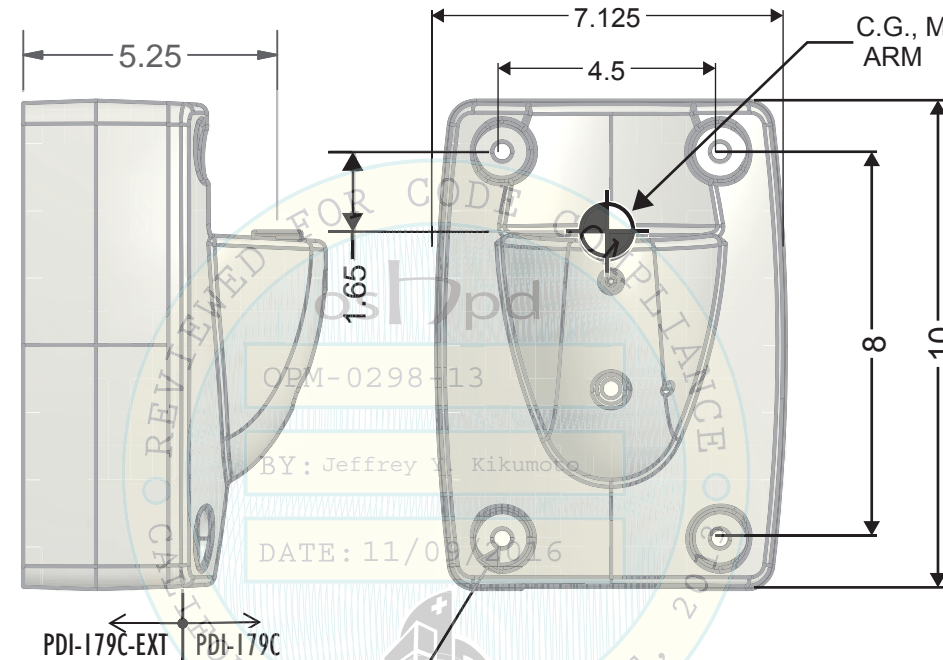
SEISMIC SUPPORTS & ATTACHMENTS
WALL PLATE ELEVATIONS

PDI CERTIFIES THIS AS AN
 OUTLINE DRAWING
 SIGNATURE *Dean Heyl*
 NAME Dean Heyl
 TITLE Engineering Manager
 DATE 11/7/2016

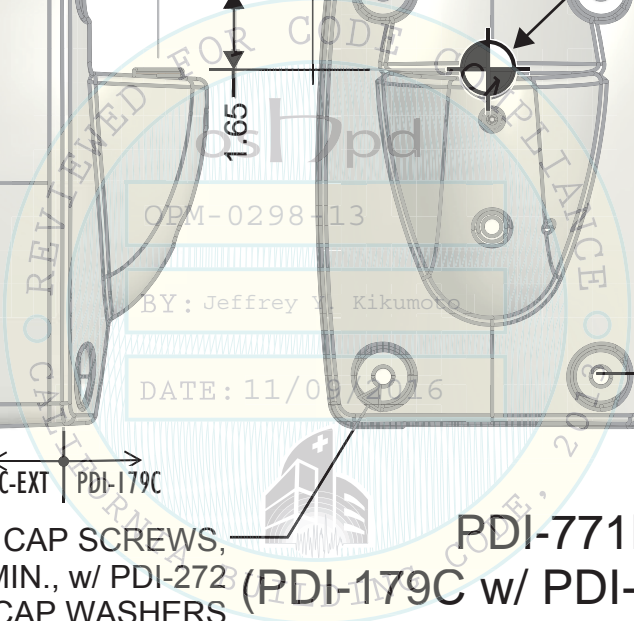
ADC12 ALUMINUM (F_y = 24 KSI MIN.),
 ASTM B85, 1/4" MIN. THICKNESS



SECONDARY ALUMINUM
 SLEEVE:
 INSIDE DIAMETER = 0.339"
 OUTSIDE DIAMETER = 0.375"



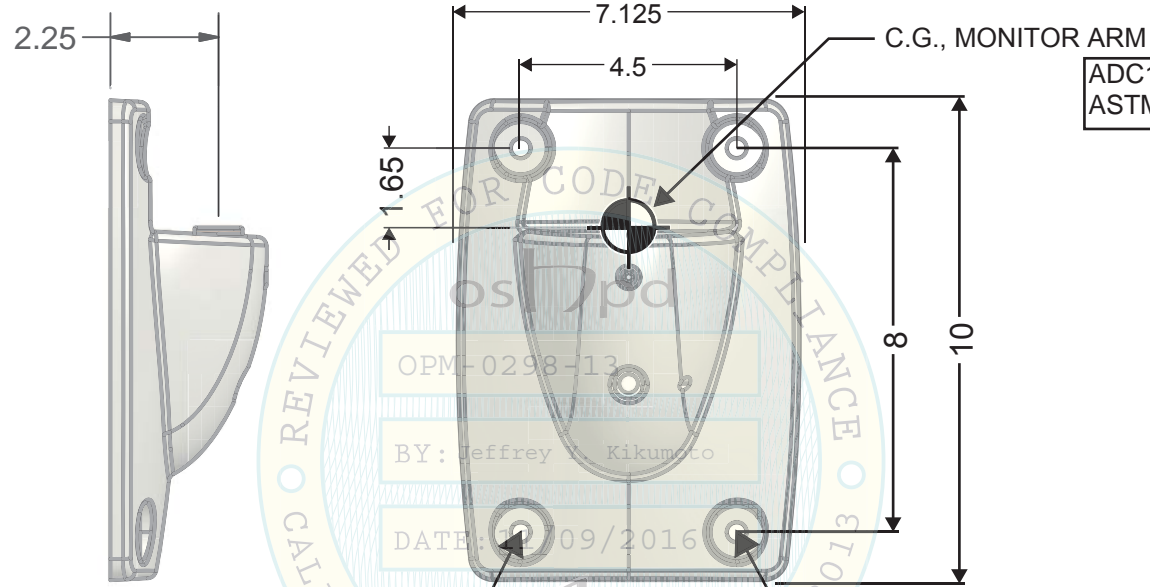
(4) 1/4" CAP SCREWS,
 Gr. 5 MIN., w/ PDI-272
 CAP WASHERS (PDI-179C w/ PDI-179C-EXT)



MATERIAL:	TOLERANCES EXCEPT AS NOTED		DRAWN H. MORTON	12/3/2015	PDI COMMUNICATION SYSTEMS INC
HEAT TREAT:	GENERAL DIMENSIONS		CHECKED		
FINISH:	.XXX = ± .015	ANGLES = 1.5°	APPROVED		TITLE OPM-0298-13 PDI-771B
THIS DRAWING AND INFORMATION THEREON IS THE PROPERTY OF PDI COMMUNICATION SYSTEMS INC. / PRECISION INDUSTRIES INC. ANY UNAUTHORIZED USE AND/OR REPRODUCTION IS PROHIBITED.	MACHINED DIMENSIONS				SIZE B
	.X = ± .030	ANGLES = 0.5°			DWG NO
	.XX = ± .020	MACHINED SURFACES	125 ✓		REV A
	.XXX = ± .005	SHARP EDGES/CORNERS = .02 MAX			SCALE NONE
					SHEET 03

SEISMIC SUPPORTS & ATTACHMENTS

WALL PLATE ELEVATIONS



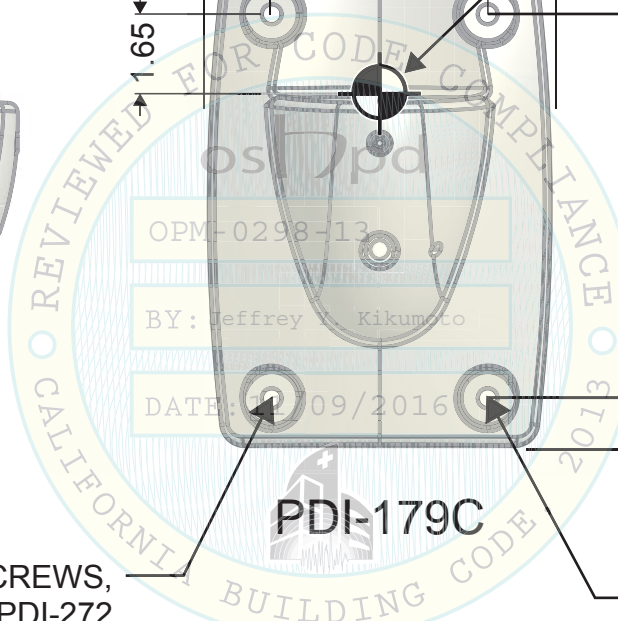
PDI CERTIFIES THIS AS AN
OUTLINE DRAWING

SIGNATURE *Dean Heyl*
NAME Dean Heyl
TITLE Engineering Manager
DATE 11/7/2016

ADC12 ALUMINUM ($F_v = 24$ KSI MIN.),
ASTM B85, 1/4" MIN. THICKNESS

(4) 1/4" CAP SCREWS,
Gr. 5 MIN., w/ PDI-272
CAP WASHERS

0.339" \varnothing HOLE, TYP.



PDI-179C



MATERIAL:	TOLERANCES EXCEPT AS NOTED		DRAWN H. MORTON	12/3/2015	PDI COMMUNICATION SYSTEMS INC	
HEAT TREAT:	GENERAL DIMENSIONS		CHECKED			
FINISH:	.XXX = ± .015	ANGLES = 1.5°	APPROVED		TITLE OPM-0298-13 PDI-179C	
THIS DRAWING AND INFORMATION THEREON IS THE PROPERTY OF PDI COMMUNICATION SYSTEMS INC. / PRECISION INDUSTRIES INC. ANY UNAUTHORIZED USE AND/OR REPRODUCTION IS PROHIBITED.	MACHINED DIMENSIONS				SIZE	DWG NO
	.X = ± .030	ANGLES = 0.5°			B	
	.XX = ± .020	MACHINED SURFACES	125 ✓		SCALE	REVISION
	.XXX = ± .005	SHARP EDGES/CORNERS = .02 MAX			NONE	A
					SHEET 04	

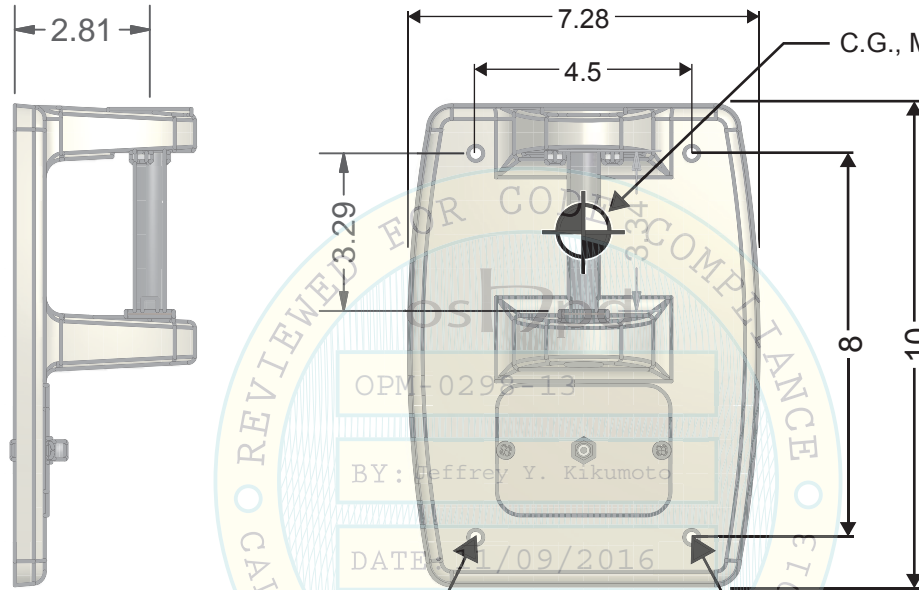
SEISMIC SUPPORTS & ATTACHMENTS

WALL PLATE ELEVATIONS

PDI CERTIFIES THIS AS AN
OUTLINE DRAWING

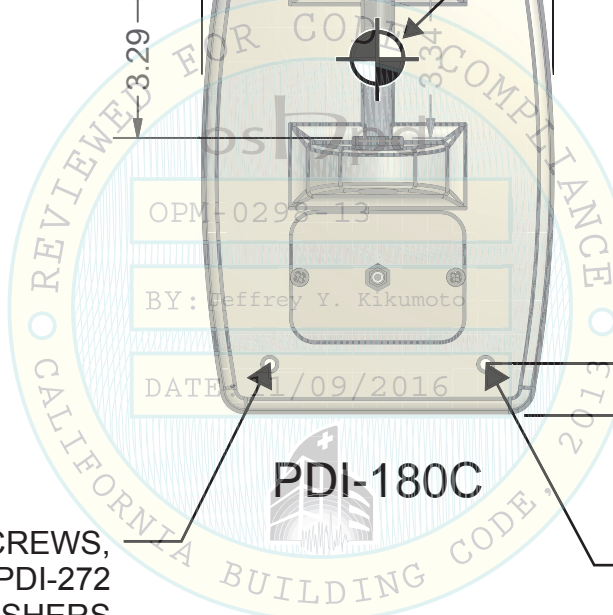
SIGNATURE *Dean Heyl*
NAME Dean Heyl
TITLE Engineering Manager
DATE 11/7/2016

ADC12 ALUMINUM (F_y = 24 KSI MIN.),
ASTM B85, 1/4" MIN. THICKNESS



(4) 1/4" CAP SCREWS,
Gr. 5 MIN., w/ PDI-272
CAP WASHERS

0.339" Ø HOLE, TYP.



PDI-180C

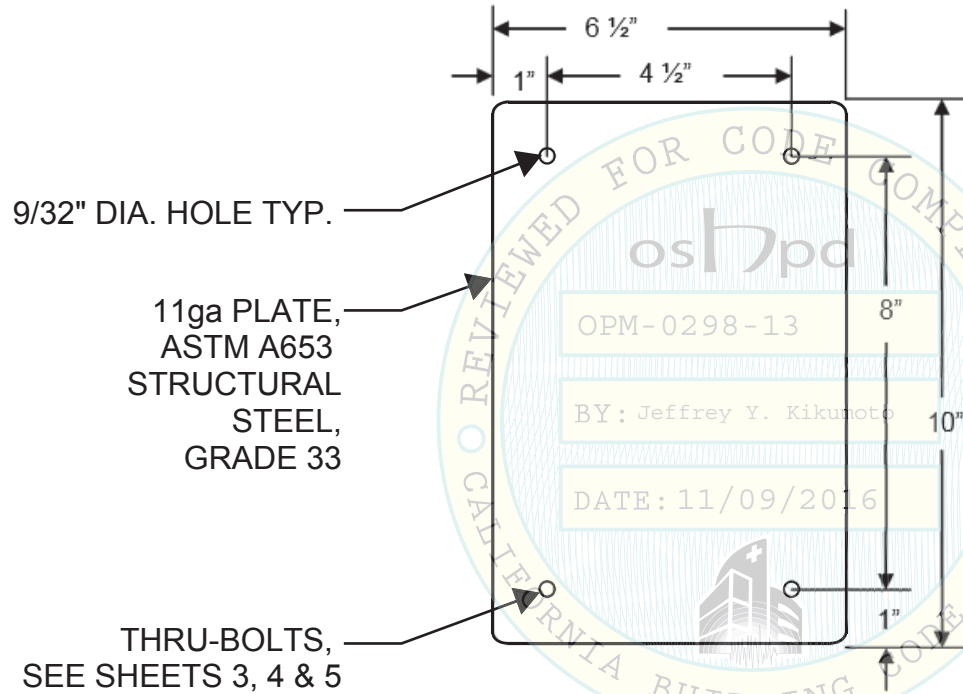


MATERIAL:	TOLERANCES EXCEPT AS NOTED		DRAWN H. MORTON	12/3/2015	PDI COMMUNICATION SYSTEMS INC	
HEAT TREAT:	GENERAL DIMENSIONS		CHECKED			
FINISH:	.XXX = ± .015	ANGLES = 1.5°	APPROVED		TITLE OPM-0298-13 PDI-180C	
THIS DRAWING AND INFORMATION THEREON IS THE PROPERTY OF PDI COMMUNICATION SYSTEMS INC. / PRECISION INDUSTRIES INC. ANY UNAUTHORIZED USE AND/OR REPRODUCTION IS PROHIBITED.	MACHINED DIMENSIONS				SIZE	DWG NO
	.X = ± .030	ANGLES = 0.5°			B	REV A
	.XX = ± .020	MACHINED SURFACES	125 ✓		SCALE	SHEET 05
	.XXX = ± .005	SHARP EDGES/CORNERS = .02 MAX			NONE	

PDI-218 BACK-UP PLATE

PDI CERTIFIES THIS AS AN
OUTLINE DRAWING

SIGNATURE *Dean Heyl*
 NAME Dean Heyl
 TITLE Engineering Manager
 DATE 11/7/2016

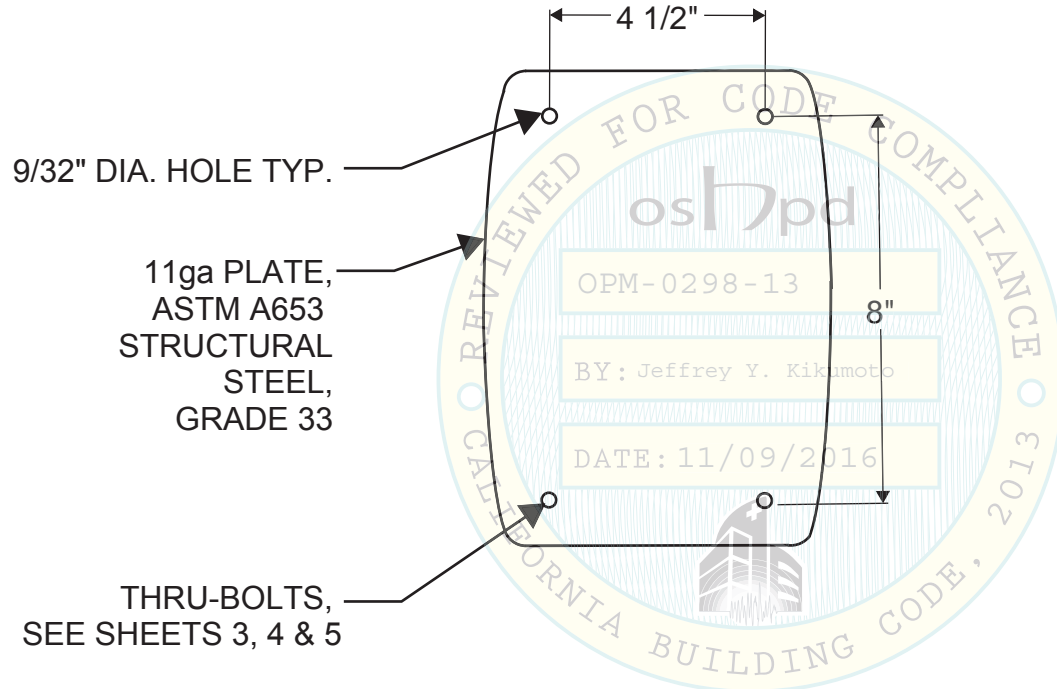


MATERIAL:	TOLERANCES EXCEPT AS NOTED		DRAWN H. MORTON	12/3/2015	PDI COMMUNICATION SYSTEMS INC	
HEAT TREAT:	GENERAL DIMENSIONS		CHECKED			
FINISH:	.XXX = ± .015	ANGLES = 1.5°	APPROVED		TITLE OPM-0298-13 PDI-218	
THIS DRAWING AND INFORMATION THEREON IS THE PROPERTY OF PDI COMMUNICATION SYSTEMS INC. / PRECISION INDUSTRIES INC. ANY UNAUTHORIZED USE AND/OR REPRODUCTION IS PROHIBITED.	MACHINED DIMENSIONS				SIZE	DWG NO
	.X = ± .030	ANGLES = 0.5°			B	
	.XX = ± .020	MACHINED SURFACES	125 ✓		SCALE	REV
	.XXX = ± .005	SHARP EDGES/CORNERS = .02 MAX			NONE	A
					SHEET 06	

PDI-219C BACK-UP PLATE

PDI CERTIFIES THIS AS AN
OUTLINE DRAWING

SIGNATURE *Dean Heyl*
 NAME Dean Heyl
 TITLE Engineering Manager
 DATE 11/7/2016



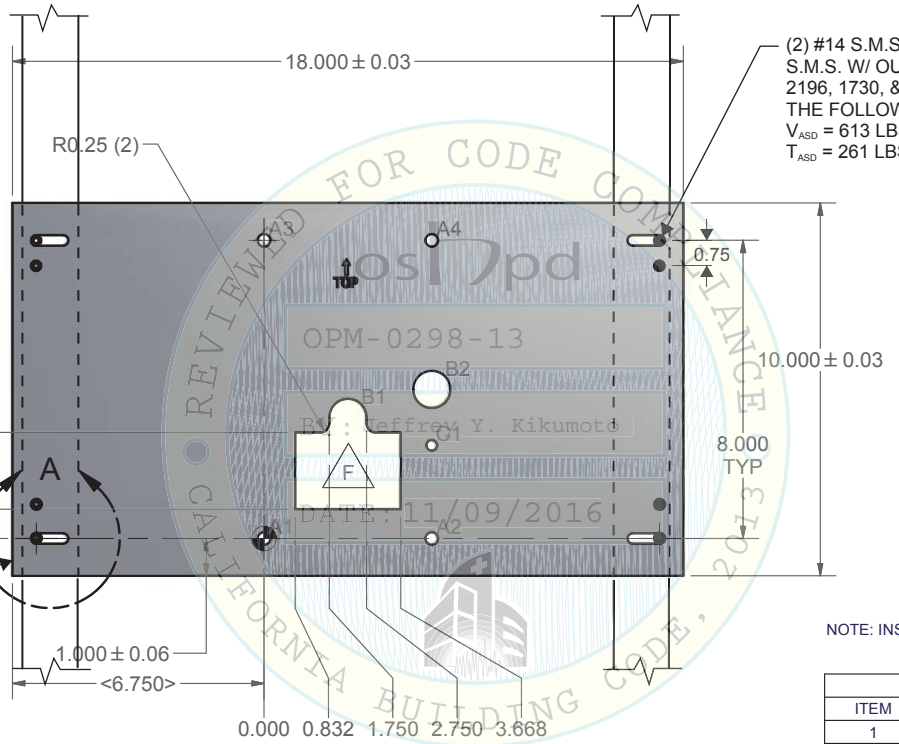
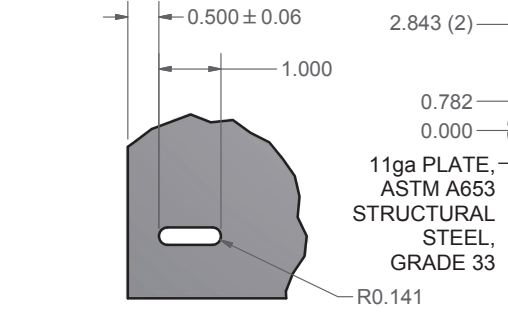
MATERIAL:	TOLERANCES EXCEPT AS NOTED		DRAWN H. MORTON	12/3/2015	PDI COMMUNICATION SYSTEMS INC	
HEAT TREAT:	GENERAL DIMENSIONS		CHECKED		TITLE OPM-0298-13 PDI-219C	
FINISH:	.XXX = ± .015	ANGLES = 1.5°	APPROVED		SIZE B	DWG NO
THIS DRAWING AND INFORMATION THEREON IS THE PROPERTY OF PDI COMMUNICATION SYSTEMS INC. / PRECISION INDUSTRIES INC. ANY UNAUTHORIZED USE AND/OR REPRODUCTION IS PROHIBITED.	MACHINED DIMENSIONS				REV A	
	.X = ± .030	ANGLES = 0.5°				
	.XX = ± .020	MACHINED SURFACES	125 ✓			
	.XXX = ± .005	SHARP EDGES/CORNERS = .02 MAX				
				SCALE NONE	SHEET 07	

PDI-254I-16 BACKING PLATE

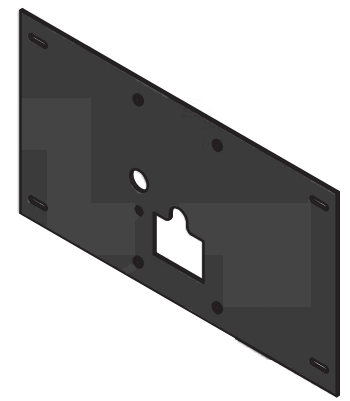
PDI CERTIFIES THIS AS AN
OUTLINE DRAWING

SIGNATURE *Dean Heyl*
 NAME Dean Heyl
 TITLE Engineering Manager
 DATE 11/7/2016

Hole Table			
HOLE	XDIM	YDIM	DESCRIPTION
A1	0.00	0.00	Ø 0.347 0.344
A2	4.50	0.00	Ø 0.347 0.344
A3	0.00	8.00	Ø 0.347 0.344
A4	4.50	8.00	Ø 0.347 0.344
B1	2.25	3.25	Ø1.0
B2	4.50	4.00	Ø1.0
C1	4.50	2.50	Ø 0.293 0.290



(2) #14 S.M.S. EA. CORNER TO WALL STUDS (MIN. 16ga, 50 ksi). ALIGN S.M.S. W/ OUTSIDE OF LONG SLOTTED HOLE. SEE ICC-ES ESR 1976, 2196, 1730, & 1408 FOR S.M.S. INFO.
 THE FOLLOWING (ASD) SCREW CAPACITIES APPLY:
 V_{ASD} = 613 LBS
 T_{ASD} = 261 LBS



NOTE: INSERTS INSTALLED FROM DIE SIDE OF PART

Parts List			
ITEM	QTY	PART NUMBER	DESCRIPTION
1	1	PDI-254I	
2	4	PD242-170	1/4-20 PEM NUT (S-0420-ZZI)
3	1	F-832-ZZI	8-32 FLUSH NUT

MATERIAL: 11 Ga. CRS	TOLERANCES EXCEPT AS NOTED	DRAWN ejohnson	10/10/2011	PDI COMMUNICATION SYSTEMS INC	
FINISH: NONE	.XXX = ± .015	APPROVED JSTANLEY	1/5/2012	TITLE OPM-0298-13 OSHPD Mounting Requirements INTERNAL BACKER PLATE	
THIS DRAWING AND INFORMATION THEREON IS THE PROPERTY OF PDI COMMUNICATION SYSTEMS INC. / PRECISION INDUSTRIES INC. ANY UNAUTHORIZED USE AND/OR REPRODUCTION IS PROHIBITED.	MACHINED DIMENSIONS			SIZE	DWG NO
	.X = ± .030	ANGLES = 0.5°		B	PDI-254I
	.XX = ± .020	MACHINED SURFACES	125	SCALE: NONE	REV
	.XXX = ± .005				F
	SHARP EDGES/CORNERS = .02 MAX				SHEET 09

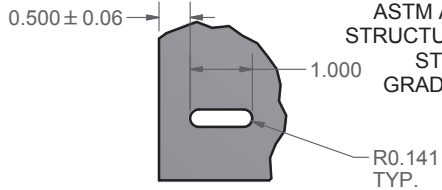
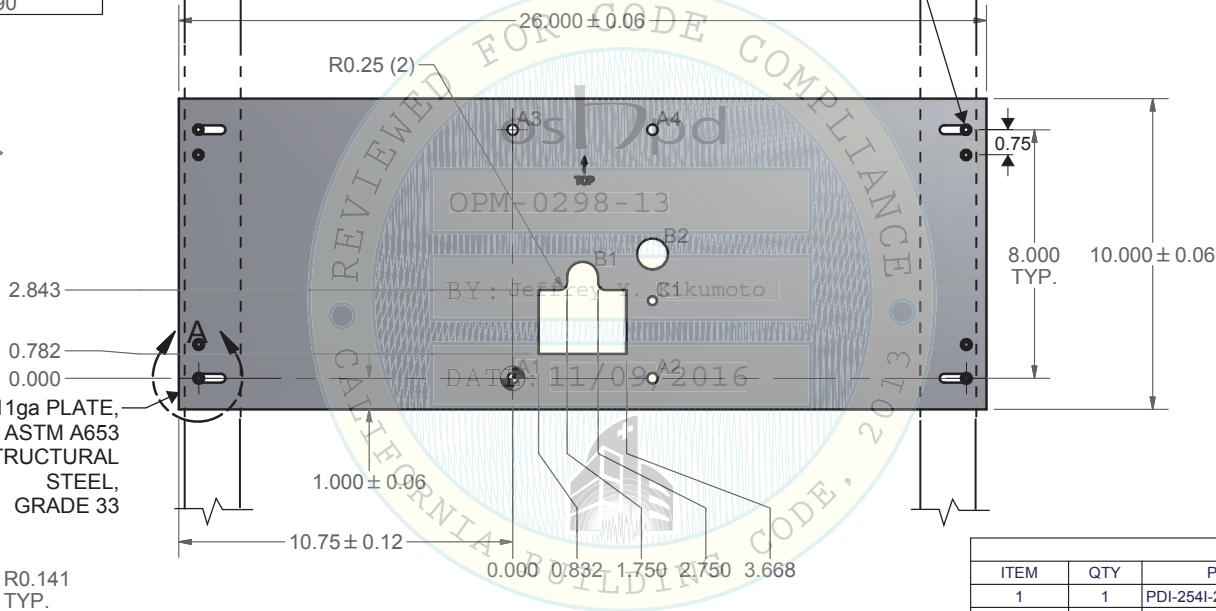
PDI-254I-24 BACKING PLATE

PDI CERTIFIES THIS AS AN
OUTLINE DRAWING

SIGNATURE *Dean Heyl*
NAME **Dean Heyl**
TITLE **Engineering Manager**
DATE **11/7/2016**

Hole Table			
HOLE	XDIM	YDIM	DESCRIPTION
A1	0.000	0.000	Ø 0.347 0.344
A2	4.500	0.000	
A3	0.000	8.000	
A4	4.500	8.000	
B1	2.250	3.250	Ø1.0
B2	4.500	4.000	
C1	4.500	2.500	Ø 0.293 0.290

(2) #14 S.M.S. EA. CORNER TO WALL STUDS (MIN. 16ga, 50 ksi).
ALIGN S.M.S. W/ OUTSIDE OF LONG SLOTTED HOLE. SEE
ICC-ES ESR 1976, 2196, 1730, & 1408 FOR S.M.S. INFO.
THE FOLLOWING (ASD) VALUES APPLY:
V_{ASD} = 613 LBS
T_{ASD} = 261 LBS



DETAIL A
SCALE 1 / 2

Parts List			
ITEM	QTY	PART NUMBER	DESCRIPTION
1	1	PDI-254I-24	
2	4	PD242-170	1/4-20 PEM NUT (S-0420-ZZI)
3	1	F-832-1ZI	8-32 FLUSH NUT

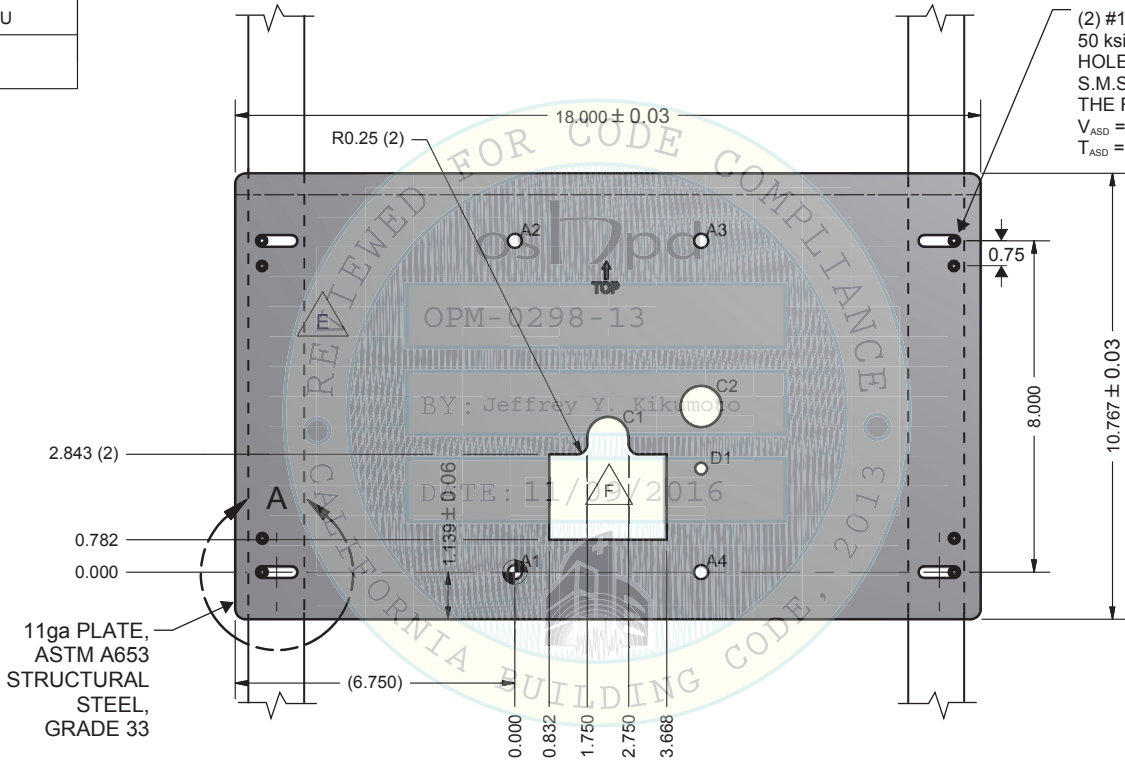
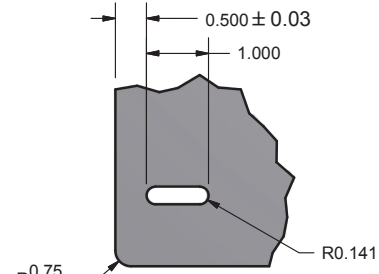
MATERIAL:	11 Ga CRS	TOLERANCES EXCEPT AS NOTED	DRAWN ejohnson	1/4/2012	PDI COMMUNICATION SYSTEMS INC
FINISH:	NONE	SHEET METAL DIMENSIONS .XXX = ± .015	APPROVED JSTANLEY	6/24/2008	
THIS DRAWING AND INFORMATION THEREON IS THE PROPERTY OF PDI COMMUNICATION SYSTEMS INC. / PRECISION INDUSTRIES INC. ANY UNAUTHORIZED USE AND/ OR REPRODUCTION IS PROHIBITED.	MACHINED DIMENSIONS .X = ± .030		ANGLES = 1.5°		TITLE OPM-0298-13 OSHPD Mounting Requirements 24" INTERNAL BACKER PLATE, NEW DESIGN
	.XX = ± .020		ANGLES = 0.5°		
	.XXX = ± .005		MACHINED SURFACES 125 ✓		
	SHARP EDGES/CORNERS = .02 MAX				
SCALE: NONE			DWG NO PDI-254I-24	REV E	SHEET 09

Hole Table			
HOLE	XDIM	YDIM	DESCRIPTION
A1	0.000	0.000	Ø 0.347 0.344 THRU
A4	4.500	0.000	
A2	0.000	8.000	
A3	4.500	8.000	
D1	4.500	2.500	Ø 0.293 0.290 THRU
C1	2.250	3.250	Ø1.0 THRU
C2	4.500	4.000	

PDI-255E-16 BACKING PLATE

PDI CERTIFIES THIS AS AN
OUTLINE DRAWING

SIGNATURE *Dean Heyl*
 NAME **Dean Heyl**
 TITLE **Engineering Manager**
 DATE **11/7/2016**



(2) #14 S.M.S. EA. CORNER TO WALL STUDS (MIN. 16ga, 50 ksi). ALIGN S.M.S. W/ OUTSIDE OF LONG SLOTTED HOLE. SEE ICC-ES ESR 1976, 2196, 1730, & 1408 FOR S.M.S. INFO.
 THE FOLLOWING (ASD) VALUES APPLY:
 $V_{ASD} = 613 \text{ LBS}$
 $T_{ASD} = 261 \text{ LBS}$

MATERIAL: 11 Ga CRS	TOLERANCES EXCEPT AS NOTED	DRAWN Eric Johnson	10/28/2011	PDI COMMUNICATION SYSTEMS INC	
FINISH: POWDERCOAT PER ORDER STD COLOR IS CREAM	SHEET METAL DIMENSIONS .XXX = ± .015 ANGLES = 1.5°	APPROVED J.S.	1/5/2012	TITLE OPM-0298-13 OSHPD Mounting Requirements EXT. BACKER PLATE FOR PDI-179-EXT	
THIS DRAWING AND INFORMATION THEREON IS THE PROPERTY OF PDI COMMUNICATION SYSTEMS INC. / PRECISION INDUSTRIES INC. ANY UNAUTHORIZED USE AND/OR REPRODUCTION IS PROHIBITED.	MACHINED DIMENSIONS .X = ± .030 ANGLES = 0.5°			SIZE B	DWG NO PDI-255E
	.XX = ± .020 MACHINED SURFACES 125 ✓			SCALE NONE	REV F
	.XXX = ± .005				
SHARP EDGES/CORNERS = .02 MAX				SHEET 10	

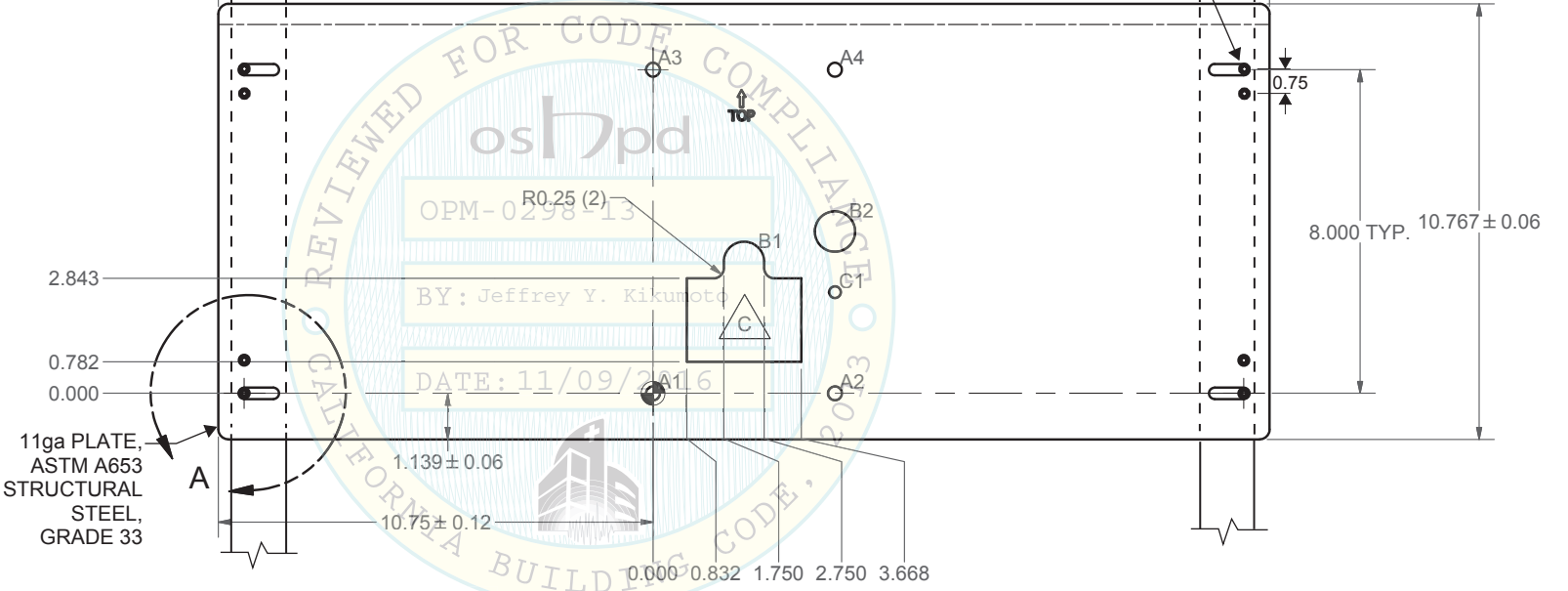
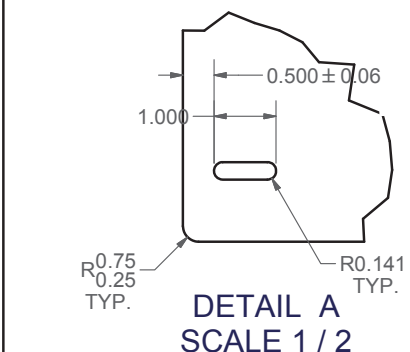
Hole Table			
HOLE	XDIM	YDIM	DESCRIPTION
A1	0.000	0.000	Ø 0.347 0.344 THRU
A2	4.500	0.000	
A3	0.000	8.000	
A4	4.500	8.000	
B1	2.250	3.250	Ø1.0 THRU
B2	4.500	4.000	
C1	4.500	2.500	Ø 0.293 0.290

PDI-255E-24 BACKING PLATE

(2) #14 S.M.S. EA. CORNER TO WALL STUDS (MIN. 16ga, 50 ksi).
ALIGN S.M.S. W/ OUTSIDE OF LONG SLOTTED HOLE. SEE
ICC-ES ESR 1976, 2196, 1730, & 1408 FOR S.M.S. INFO.
THE FOLLOWING (ASD) VALUES APPLY:
V_{ASD} = 613 LBS
T_{ASD} = 261 LBS

PDI CERTIFIES THIS AS AN
OUTLINE DRAWING

SIGNATURE *Dean Heyl*
NAME **Dean Heyl**
TITLE **Engineering Manager**
DATE **11/7/2016**



MATERIAL:	11 Ga CRS	TOLERANCES EXCEPT AS NOTED	DRAWN ejohnson	1/4/2012	PDI COMMUNICATION SYSTEMS INC	
FINISH:	POWDERCOAT PER ORDER STD COLOR IS CREAM	.XXX = ± .015	APPROVED JSTANLEY	6/24/2008		
THIS DRAWING AND INFORMATION THEREON IS THE PROPERTY OF PDI COMMUNICATION SYSTEMS INC. / PRECISION INDUSTRIES INC. ANY UNAUTHORIZED USE AND/OR REPRODUCTION IS PROHIBITED.	SHEET METAL DIMENSIONS		TITLE OPM-0298-13 OSHPD Mounting Requirements 24" EXTERNAL BACKER PLATE, NEW DESIGN			
	MACHINED DIMENSIONS					
	.X = ± .030		ANGLES = 1.5°	SIZE B	DWG NO PDI-255E-24	REV C
	.XX = ± .020		ANGLES = 0.5°	SCALE: NONE		
.XXX = ± .005		MACHINED SURFACES 125 ✓	SHEET 11			
SHARP EDGES/CORNERS = .02 MAX						